

PRX518S 18" Self-Powered Subwoofer System

Features:

- ▶ JBL VGC™ (Vented Gap Cooled) woofer
- ▶ Class-D, Crown® digital amplifier
- ▶ DSP, input section with selectable crossover, dynamic limiting, component optimization, selectable polarity reverse
- ▶ Professional XLR line and ¼" Mic/Instrument inputs
- ▶ Stereo input and Loop-Thru capability
- ▶ Illuminated logo for clear Power-On status
- ▶ Top panel pole mount socket for sub/satellite configuration
- ▶ DuraFlex™ coated plywood construction
- ▶ Wrap around heavy duty steel grille provides protection without obstructing performance.

Application:

Compact and powerful, the PRX518S offers the performance of an 18" subwoofer in a package not much larger than a typical 15" sub. With a pole receptacle (that accepts a SS3-BK) on the top panel and integrated stereo pass-thru, with selectable HP filter, this is the perfect compliment to the PRX500 full-range systems. Configured with a PRX512M or PRX515; the result is a highly transportable, high performance sub-satellite system. The addition of a polarity reverse options further enables system optimization.

The PRX518 is a high performance self-powered compact subwoofer system. The PRX518S is comprised of a 2044E 460 mm (18") VGC™ (Vented Gap Cooled) woofer driven by a Crown International Class-D digital power amplifier. A propriety DSP chip is at the core of a fully featured input section, providing user selectable crossover functionality, polarity optimization, protection, dynamic limiting and discrete component optimization.

The enclosure is constructed of quality plywood and coated in JBL's rugged DuraFlex™ finish. An integrated pole mount on the top enables an easy sub/satellite configuration. The CNC-machined steel grille wraps around the sides of the enclosure so there are no protruding lips on the front of the box to create acoustical interference. The grille is also lined with an acoustically transparent foam to provide additional driver protection.

The amplifier input panel offers stereo inputs with XLR or ¼ inch jack compatibility. A user selectable crossover ensures a smooth transition to full-range system connected to the stereo outputs. Signal present and overload lights indicate the system status and assist in setting the optimum level, via the level control knob.



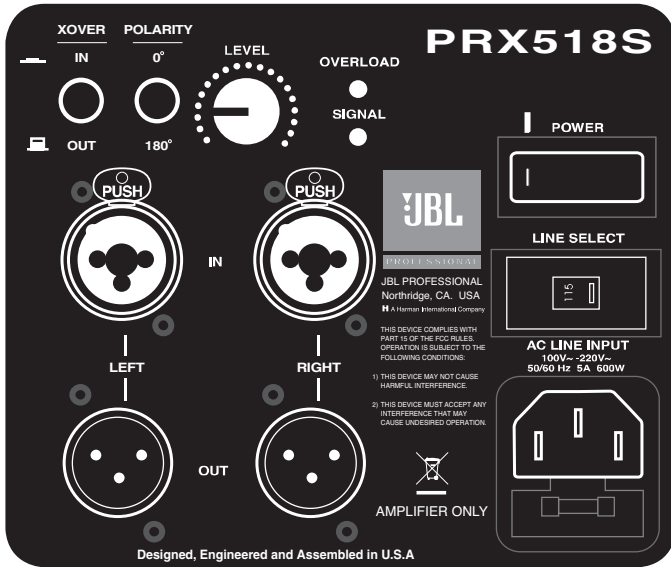
Preliminary Specifications:

System Type:	Self powered 18", two-way, bass-reflex
Frequency Range (-10 dB):	37 Hz – 140 Hz
Frequency Response (±3 dB):	52 Hz – 110 Hz
Crossover Modes:	DSP controlled 48 dB filter slope
Crossover Frequency:	110 Hz
System Power Rating:	500 W continuous, 1000 W peak
LF Power amp:	Class-D, 500 Watt (continuous) at driver impedance
Distortion:	Less than 0.1% at rated power
Maximum SPL ¹ :	129 dB SPL peak
Signal indicators:	Overload: Red LED indicates input overload condition Signal: Green LED indicates signal presents
Input sensitivity:	-25 dBu to 0 dBu
Input Impedance:	34 K Ohms (balanced), 18 K Ohms (unbalanced)
Polarity:	0° or 180° phase shift
LF Driver:	1 x JBL 2044E 460 mm (18 in) woofer
Enclosure:	Rectangular, 18 mm, plywood
Suspension / Mounting:	36 mm pole socket on top
Transport:	2 x die-cast handles with backing cup
Finish:	Anthracite DuraFlex™ finish
Grille:	Powder coated, Anthracite black, 18 gauge perforated steel with acoustically transparent black foam backing.
Input Connectors:	Balanced XLR / ¼ inch combo jack with XLR loop through. (stereo)
Dimensions (H x W x D):	725 mm x 535 mm x 610 mm (28.5 in x 21 in x 24 in)
Net Weight:	36 kg (79 lb)

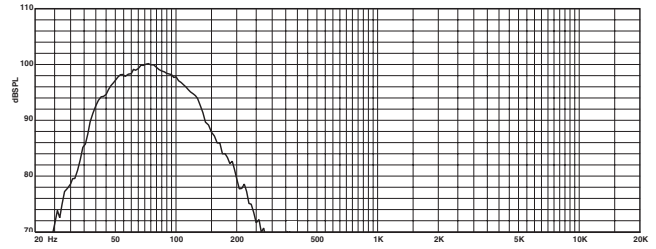
¹ Maximum Peak output measured with IEC pink noise at 1 meter in front of speaker baffle under free space conditions. Measurement instrument set to peak hold. Speaker muted and released at full power, recording maximum peak level.

JBL continually engages in research related to product improvement. Some materials, production methods and design refinements are introduced into existing products without notice as a routine expression of that philosophy. For this reason, any current JBL product may differ in some respect from its published description, but will always equal or exceed the original design specifications unless otherwise stated.

▶ PRX518S 18" Self-Powered Subwoofer System

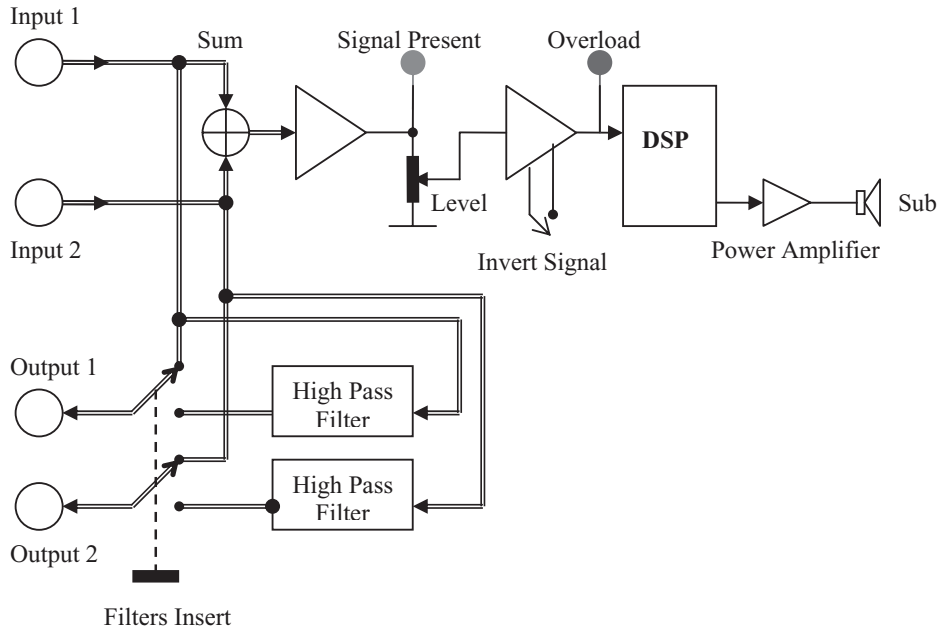


Frequency Response



PRX518S Input Panel

Block Diagram



JBL Professional
 8500 Balboa Boulevard, P.O. Box 2200
 Northridge, California 91329 U.S.A.

A Harman International Company
 © Copyright 2007 JBL Professional

SS PRX518S
 CRP 5M
 01/07